

EAH-DJ1200

立体声头戴式耳机
使用说明书

Stereo Headphones
Operating Instructions

Music is borderless and timeless, touching people's hearts across cultures and generations. Each day the discovery of a truly emotive experience from an unencountered sound awaits. Let us take you on your journey to rediscover music.

Rediscover Music™ / **Technics**

Delivering the Ultimate Emotive Musical Experience to All

At Technics we understand that the listening experience is not purely about technology but the magical and emotional relationship between people and music.

We want people to experience music as it was originally intended and enable them to feel the emotional impact that enthuses and delights them.

Through delivering this experience we want to support the development and enjoyment of the world's many musical cultures. This is our philosophy.

With a combination of our love of music and the vast high-end audio experience of the Technics team, we stand committed to building a brand that provides the ultimate emotive musical experience by music lovers, for music lovers.

Director
Michiko Ogawa

产品中有害物质的名称及含量

部件名称	有害物质					
	铅 (Pb)	汞 (Hg)	镉 (Cd)	六价铬 (Cr(VI))	多溴联苯 (PBB)	多溴二苯醚 (PBDE)
外壳, 构造	○	○	○	○	○	○
线缆	○	○	○	○	○	○
驱动单元	○	○	○	○	○	○
可拆卸卷线	×*	○	○	○	○	○
可拆卸直线	×*	○	○	○	○	○
插头适配器	×*	○	○	○	○	○
便携袋	○	○	○	○	○	○

本表格依据 SJ/T11364 的规定编制。

○：表示该有害物质在该部件所有均质材料中的含量均在 GB/T26572 规定的限量要求以下。

×：表示该有害物质至少在该部件的某一均质材料中的含量超出 GB/T26572 规定的限量要求。

*：插头的黄铜中含铅

使用温度范围：0℃ 至 40℃

保管温度范围：-10℃ 至 50℃

使用湿度范围：35% 至 80%

保管湿度范围：5% 至 90%



与产品配套使用的耳机、线材、插头适配器等的环保使用期限为 10 年。

制造商：松下娱乐互动株式会社

日本大阪府守口市八云东町1丁目10番12号
570-0021

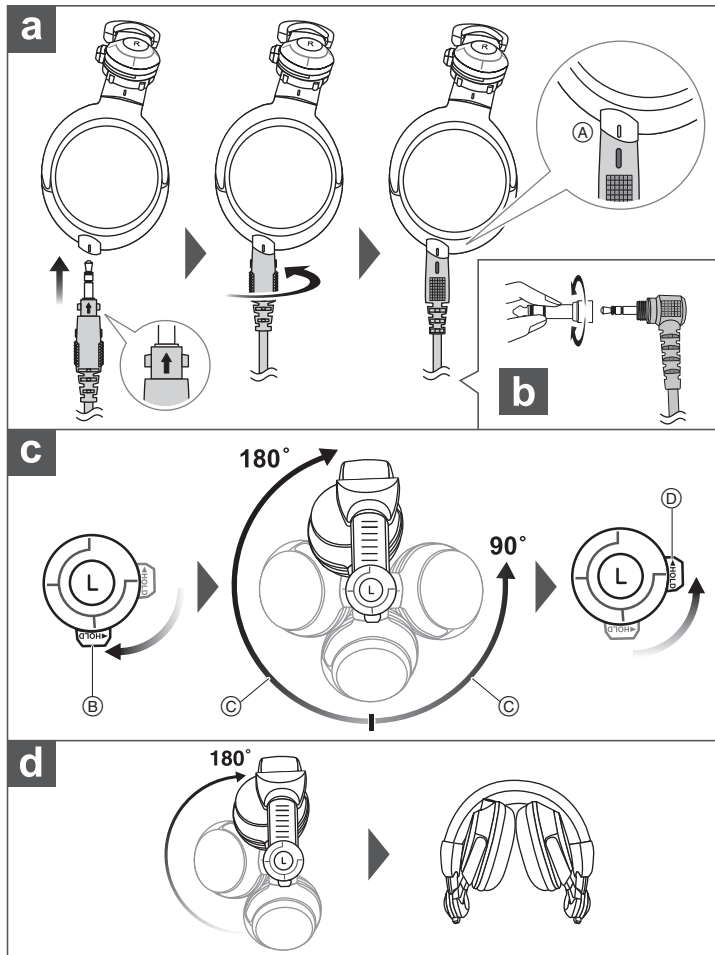
进口商：松下家电（中国）有限公司

浙江省杭州市钱塘区松乔街2号

原产地：中国

2022 年 5 月 发行

在中国印刷



中文 (简体)

感谢您购买本产品。
 请于使用前仔细阅读操作使用说明书, 并将说明书妥善保管, 以备将来使用。

- a 锁定可拆卸线**
 - Ⓐ 锁定
- b 6.3 毫米插头适配器**
 (对于卷线, 预连接)
- c 用于单侧监听的可锁定摇臂**
 - Ⓑ HOLD 释放
 - Ⓒ 可旋转范围
 - Ⓓ HOLD
- d 可折叠设计, 便于携带**

警告

- 在驾驶、骑自行车或其他需要快速反应或不得影响听力的情况下, 避免戴耳机。
- 请勿在高音量下长时间佩戴耳机。
- 为防止吞咽, 请将插头适配器放置在儿童接触不到的地方。

规格

综合

工作温度范围	0 °C 至 40 °C
工作湿度范围	35 %RH 至 80 %RH (无冷凝)
重量	大约 233 g (不带线)

耳机部分

阻抗 (带可拆卸卷线)	45 Ω
频响	8 Hz 至 30000 Hz
灵敏度	106 dB/mW
功率处理能力	2500 mW (IEC)

扬声器部分

驱动单元	40 mm
------	-------

附件部分

可拆卸直线	大约 1.2 m
可拆卸卷线 (延伸长度)	大约 1.5 m (大约 2.2 m)
便携袋	
插头适配器 (6.3 毫米)	

English

Thank you for purchasing this product.
 Please read these instructions carefully before using this product, and save this manual for future use.

- a Locking Detachable Cord**
 - Ⓐ Lock
- b 6.3 mm Plug Adaptor**
 (For coiled cord, pre-attached)
- c Lockable Swing Arm for Single-side Monitoring**
 - Ⓑ HOLD release
 - Ⓒ Rotatable range
 - Ⓓ HOLD
- d Foldable Design for Easy Portability**

WARNING

- Avoid wearing your headphones when driving, cycling or in other situations where quick reactions are required or hearing must not be impaired.
- Do not wear your headphones for extended periods of time at high volume.
- Keep the plug adaptor out of reach of children to prevent swallowing.

Specifications

General

Operating temperature range	0 °C to 40 °C
Operating humidity range	35 %RH to 80 %RH (no condensation)
Mass	Approx. 233 g (without cord)

Headphone section

Impedance (with Detachable Coiled Cord)	45 Ω
Frequency response	8 Hz - 30000 Hz
Sensitivity	106 dB/mW
Power handling capacity	2500 mW (IEC)

Speaker section

Driver units	40 mm
--------------	-------

Accessory section

Detachable Straight Cord	Approx. 1.2 m
Detachable Coiled Cord (Extended length)	Approx. 1.5 m (Approx. 2.2 m)
Carrying Pouch	
Plug Adaptor (6.3 mm)	

• Specifications are subject to change without notice.